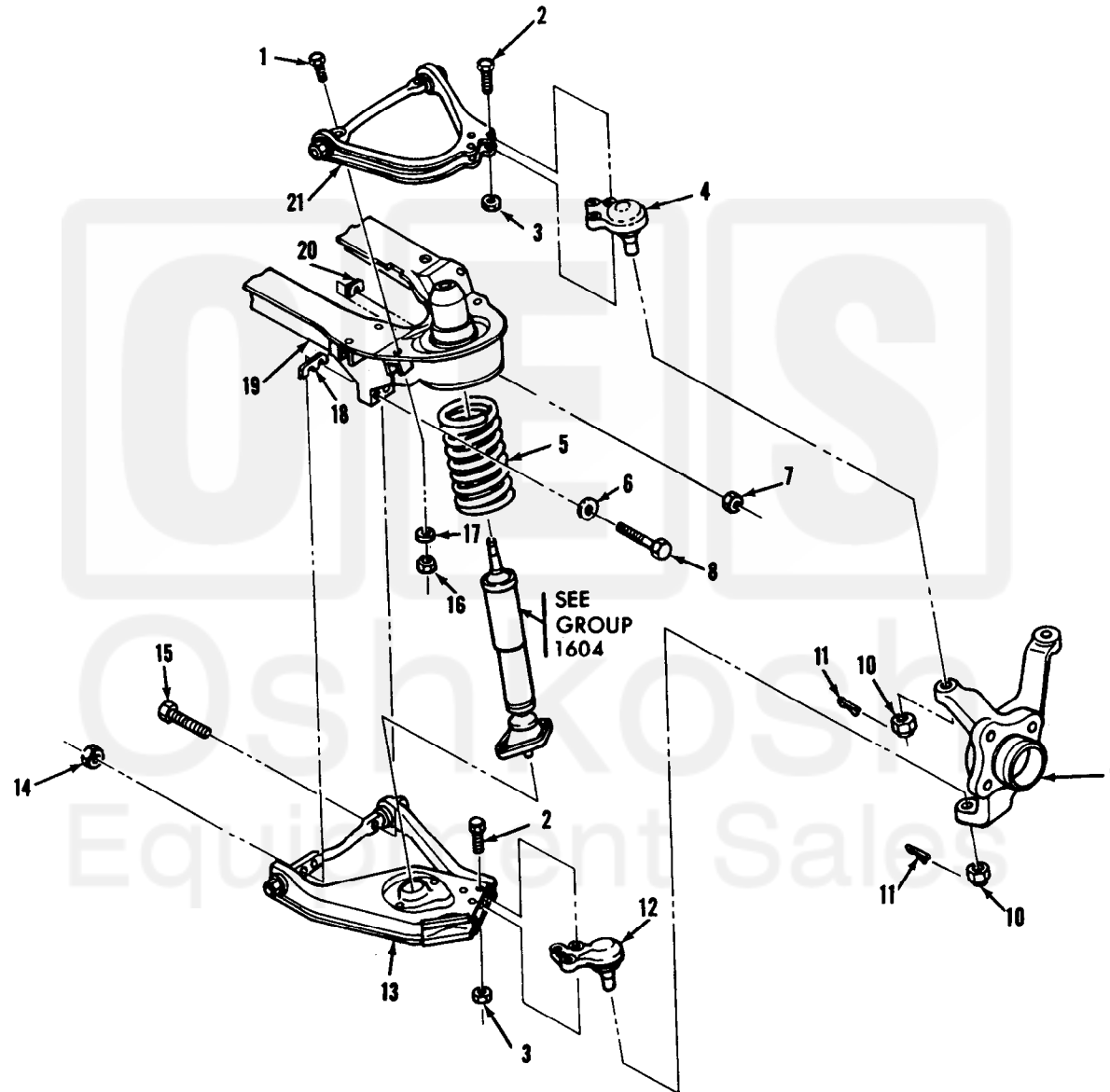


(1) SMR Code	(2) Federal Stock Number	(3) Description Reference number & mfr Code	(4) Unit Of Meas.	(5) Qty Inc In Unit	(6) 15-day organizational Maintenance alw				(7) Illustration		
					(a) 1-5	(b) 6-20	(c) 21-50	(d) 51-100	(a) Figure No.	(b) Item No.	
GROUP 1204—Continued											
C	PAOZZ	3120-182-8471	BEARING, SLEEVE: clutch shaft, 10885517 (19207)	EA	2	*	*	*	*	12-6	4
C	PAOZZ	2540-150-7847	PEDAL, BRAKE, VEHICULAR: hydraulic, 10885504 (19207)	A	EA	1	*	*	*	12-6	9
R	PAOZZ	5310-777-0223	WASHER, FLAT: brake, master cylinder outlet, 5160323 (19207)	EA	1	*	*	*	*	12-6	13
R	PAOZZ	5305-042-5639	SCREW ASSEMBLED WASHER: brake and clutch pedal, 425639 (21450)	A	EA	4	*	*	*	12-6	17
C	PAOZZ	2530-177-7977	PEDAL, CLUTCH: 10885508 (19207)	EA	1	*	*	*	*	12-6	20
C	XDOZZ		SCREW ASSEMBLED WASHER: brake and clutch pedal support attaching, 425643 (24150)	A	EA	1	*	*	*	12-6	25
R	PAOZZ	5360-678-1306	SPRING, HELICAL EXTENSION: brake pedal retracting, (see group 1206), 8754523 (19207)	EA	1	*	*	*	*	12-6	26
C	PAOZZ	3120-182-8471	BEARING, SLEEVE: clutch shaft, 10885517 (19207)	EA	2	*	*	*	*	12-7	4
R	PAOZZ	5310-777-0223	WASHER, FLAT: brake master cylinder outlet, 5160323 (19207)	EA	1	*	*	*	*	12-7	14
R	PAOZZ	4730-421-9087	PLUG, PIPE: hexagon recess, 1/8-27 NPTF, brake master cylinder outlet line connector, MS49005-2 (96906)	B	EA	1	*	*	*	12-7	16
C	PAOZZ	2530-177-7977	PEDAL, CLUTCH: 10885508 (19207)	EA	1	*	*	*	*	12-7	20
R	PAOZZ	5360-678-1306	SPRING, HELICAL EXTENSION: brake pedal retracting, (see Group 1206), 8754523 (19207)	EA	1	*	*	*	*	12-7	26
C	PAOZZ	5930-207-9422	SWITCH ROTARY, STOPLIGHT: mechanically actuated, 11663279 (19207) DELETE FSN 5930-796-8845, SWITCH, ROTARY, MS75064-1. DELETE FSN 1015-833-8566 SHELL, SHIELD, 8338566, FIG. 12-7, ITEM 40. DELETE FSN 5310-833-8567 WASHER, SLOTTED, 8338567, FIG. 12-7, ITEM 41.	B	EA	1	*	*	*	12-7	37
Page 150 GROUP 1206											
R	PAOZZ	5360-678-1306	SPRING, HELICAL EXTENSION: brake pedal retracting, 8754523 (19207)	EA	1	*	*	*	*	12-6	26
R	PAOZZ	5340-678-1431	BUMPER, RUBBER: brake pedal, 8754527 (19207)	EA	2	*	*	*	*	12-6	31
Page 150 GROUP 1301											
R	PAOZZ	5306-832-6190	BOLT, MACHINE: upper arm to crossmember, 8754891 (19207)	EA	4	*	*	*	*	13-1	1
N	PAOZZ	5310-982-4908	NUT, SELF-LOCKING, HEXAGON: 3/8-24 UNF-3B, lower and upper socket retaining, MS21045-6 (96906) DELETE NUT, SELF-LOCKING, MS20365-624C, FSN 5310-275-2088.	EA	12	*	*	*	*	13-1	3
C	PAOZZ	2530-176-3343	BALL JOINT: suspension, upper arm, front, 11640670 (19207)	EA	2	*	*	*	*	13-1	4
C	PAOZZ	5315-839-5822	PIN, COTTER: front suspension lower and upper ball joints MS24665-353 (96906)	EA	4	*	*	*	*	13-1	1
C	PAOZZ	2530-176-3344	BALL JOINT: suspension, lower arm, front, 11640669 (19207)	EA	2	*	*	*	*	13-1	12
C	XDOZZ		ARM ASSEMBLY: front suspension, upper left hand 8754159 (19207)	EA	1					13-1	21



AT24306

Figure 13-1. Front suspension.